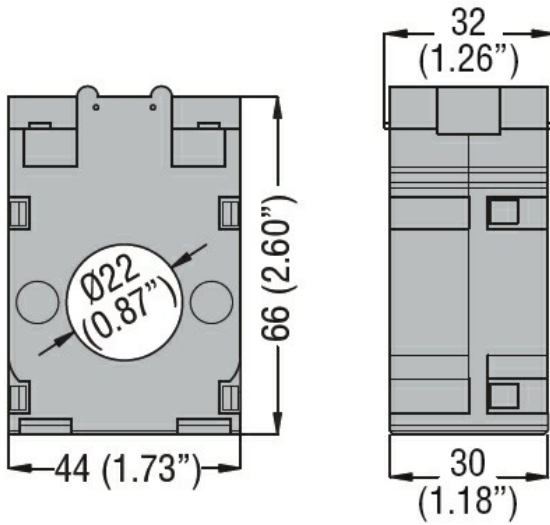




Product designation				Current transformers
Product type designation				DM0T0150
Auxiliary supply U_s				
Operational frequency		min	Hz	50
		max	Hz	60
Current inputs				
Primary current I_{pn} (/5)			A	150
Secondary output current			A	5
Overload withstand I_{pn}			%	120
Burden		cl. 1	VA	2
Insulations				
Rated insulation voltage U_i IEC/EN			V	720
IEC rated short-time thermal current I_{th}			I_{th} for s	40...60
IEC rated dynamic current I_{dyn}			I_{th} for s	2.5
Insulation dry type				Class E
Mechanical features				
Terminals type				Screw
Fixing				DIN rail or by Screw
Weight			g	200
Ambient conditions				
Temperature	Operating temperature			
		min	°C	-25
		max	°C	+50
	Storage temperature			
		min	°C	-40
		max	°C	+80
Relative humidity			%	90
Protection degree				IP30
Dimensions				



Certifications and compliance

Compliance

IEC/EN/BS 61869-1

IEC/EN/BS 61869-2

Certificates

EAC

GOST

ETIM classification

ETIM 8.0

EC002048 -
 Current
 transformer